

1/2021

# MORITZ SIMON GEIST: MR-808

## TECHNICAL RIDER

---

### Installation Specification:

**Size:** 1727 x 3176 x 676 mm  
**Weight:** ca. 150kg (see below)  
**Material:** Plastic, robotic parts, electronics, Wood (painted). No batteries or chemicals inside.  
**Transport:** Installation is disassembled in five pieces for transport  
Installation comes "as it is" without casing, so special care has to be taken for transport.

### Power

**Power:** 230V / 350W. 6 x sockets European Standard

### Stage

**Exhibition Area:** minimum 5 x 3 meter - better more. One side has to be not accessible to the public (e.g. a wall). The area should be with dimmed lights only and preferably black background. The distance of the installation to the wall is 40cm in each direction.

**Riser:** two risers 2m x 0,5m with a height of 0,2-0,4m covered with black molton at the front and top. We put the installation on top these so that it can be seen better.

### Timing & security

**Setup time:** We need 3:00 to setup

**Breakdown time:** 80 - 60 minutes

**Security:** 24h security and insurance for the installation has to be provided by organizer.

### Catering, Accomodation, Festival passes

**Food** (anything but enough), no veggies, no allergics, has to be provided throughout the full festival. Minimum one box of high quality Beer.

**Accomodation** (hotel / Air BnB) for the whole event including set up and breakdown days for our crew has to be provided by the organizer. It has to be in walking distance to the venue, otherwise transport has to be organized by the customer.

**Festival Passes:** Full Festival Passes and Backstage access for our crew has to be provided for all festival days.

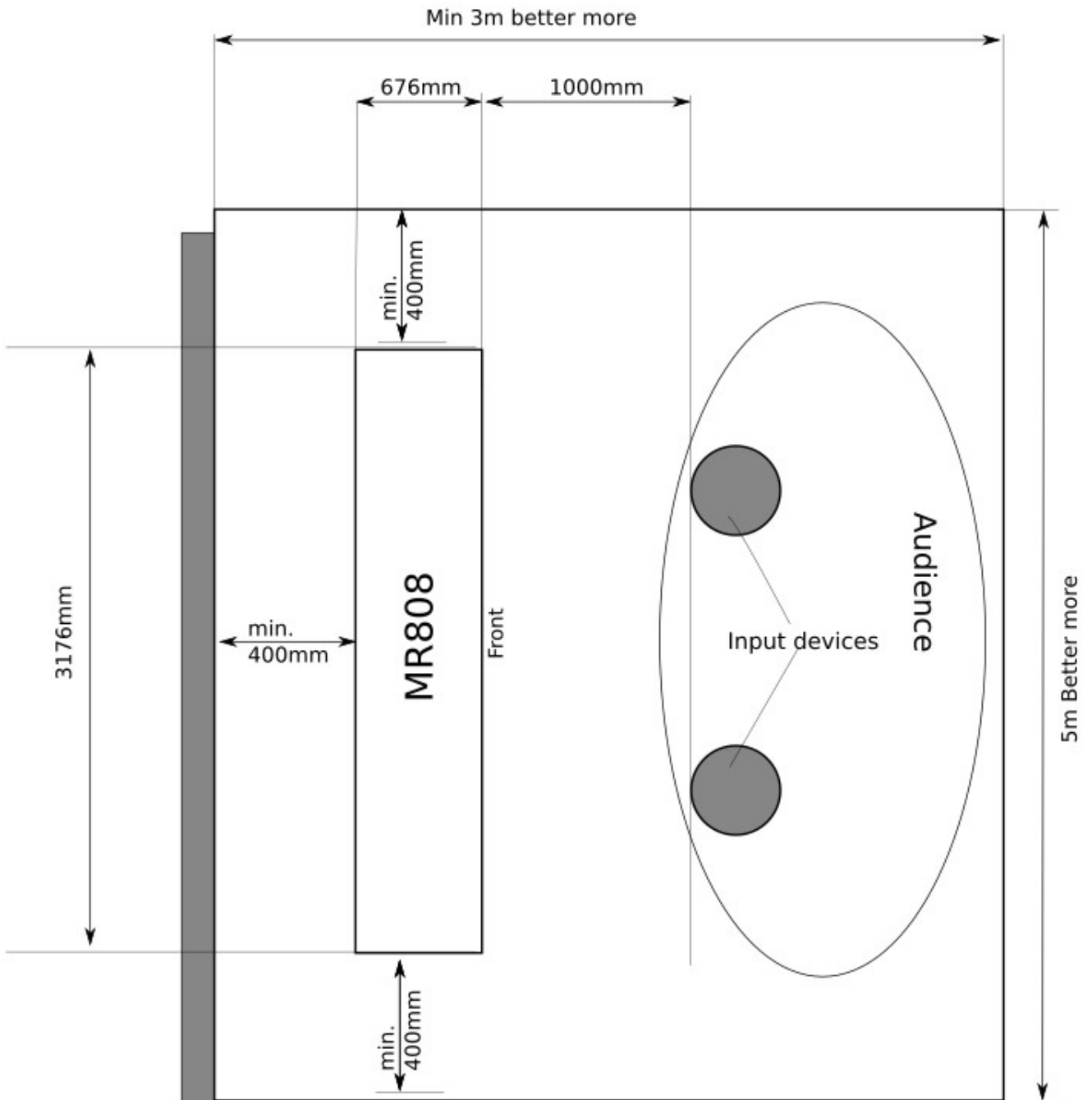
### Car & Parking

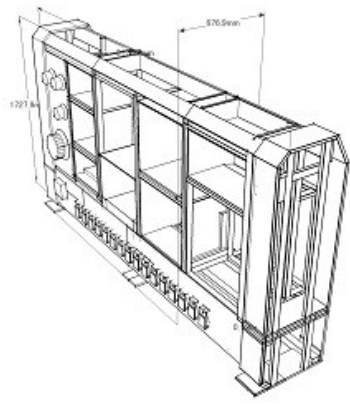
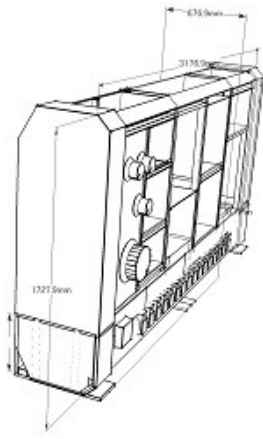
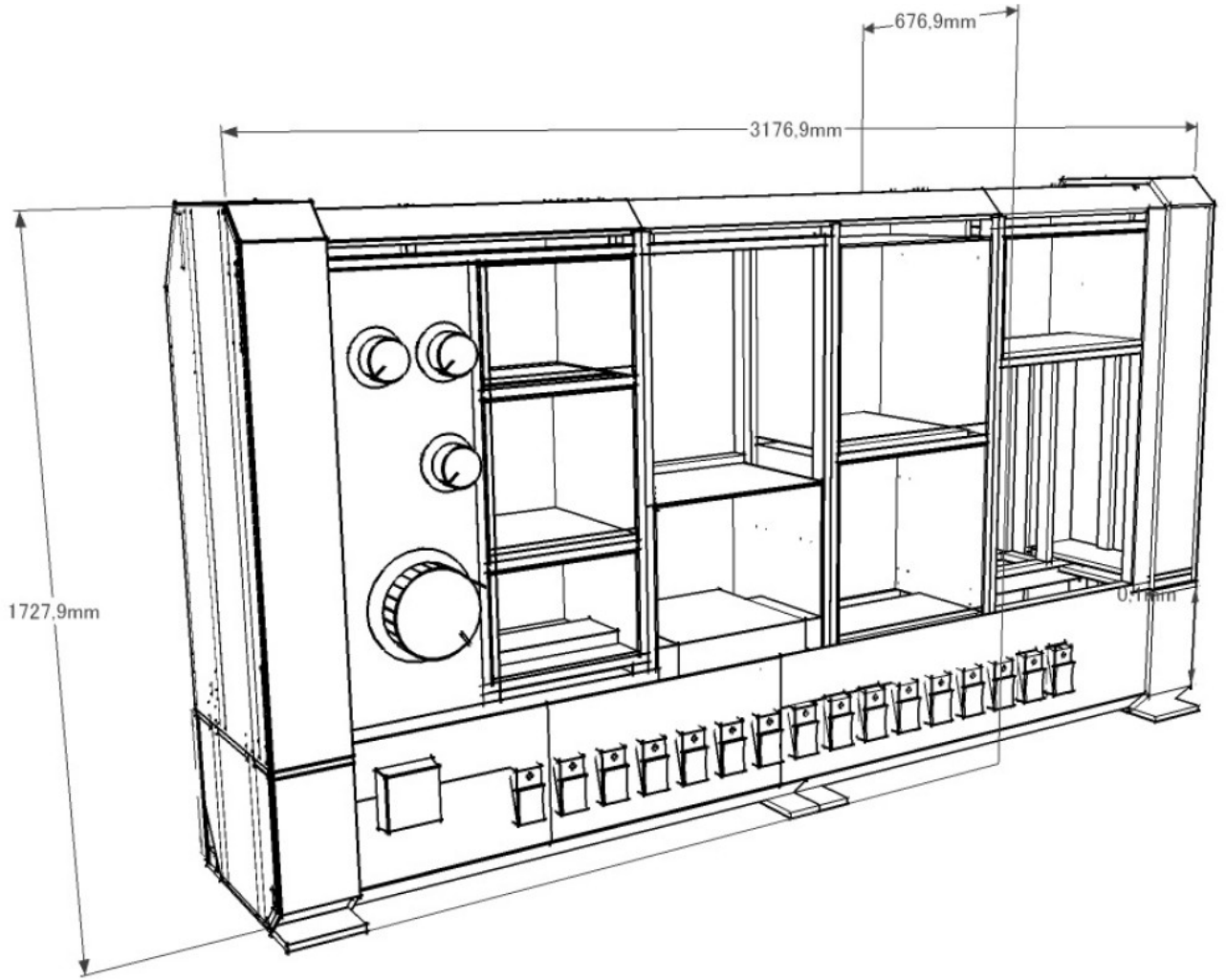
**CAR** If we come with a car (inside Europe): its a Van FORD Transit .  
Size of the Car: 533.2 cm x 197.4 cm x 230.9 cm

**Parking:** A free parking spot with 24/7 security near the venue for the full time of the event and the nights in which we are staying has to be provided.

# SETUP AT EXHIBITION ROOM

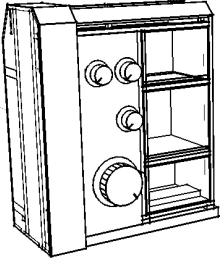
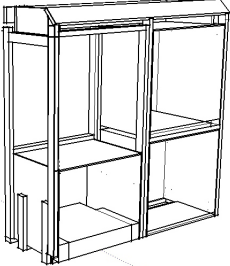
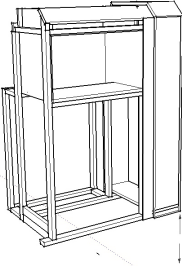
We need a space of minimum 3 x 5 m – better more. The back of the installation has to be not open to the public. The distance around the installation has to be 40cm.

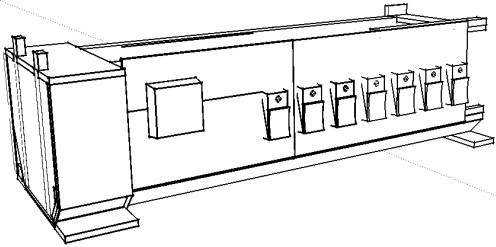
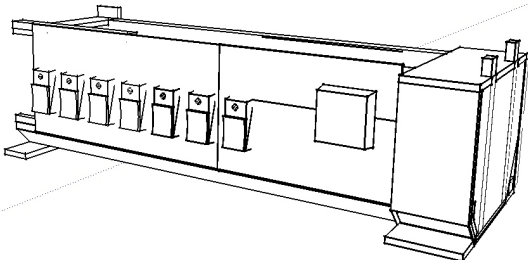




## Shipping Gear

this applies only in case that we don't ship the gear ourselves (e.g. overseas and asia). The list of equipment that needs to be shipped consists of:

		
<p>Size: 1390mm x 600 mm x 1050 mm Weight: 35Kg</p>	<p>Size: 1300mm x 500mm x 1250mm Weight: 50Kg</p>	<p>Size: 1390mm x 600mm x 600mm Weight: 35Kg</p>

		
<p>Size: 600mm x 1600mm x 450mm Weight: 15Kg</p>	<p>Size: 600mm x 1600mm x 450mm Weight: 15Kg</p>	

### Additional boxes cases

<p>Boxes for equipment 3 pcs: 650mm x 400mm x 400mm, 25kg each</p>		
--	--	--



Herewith the customer agrees to set up all the requirements described above. Changes need to be in written form agreed with by SONIC ROBOTS:

*Customer Name*

---

---

---

---

*(Date & Signatur Organizer)*